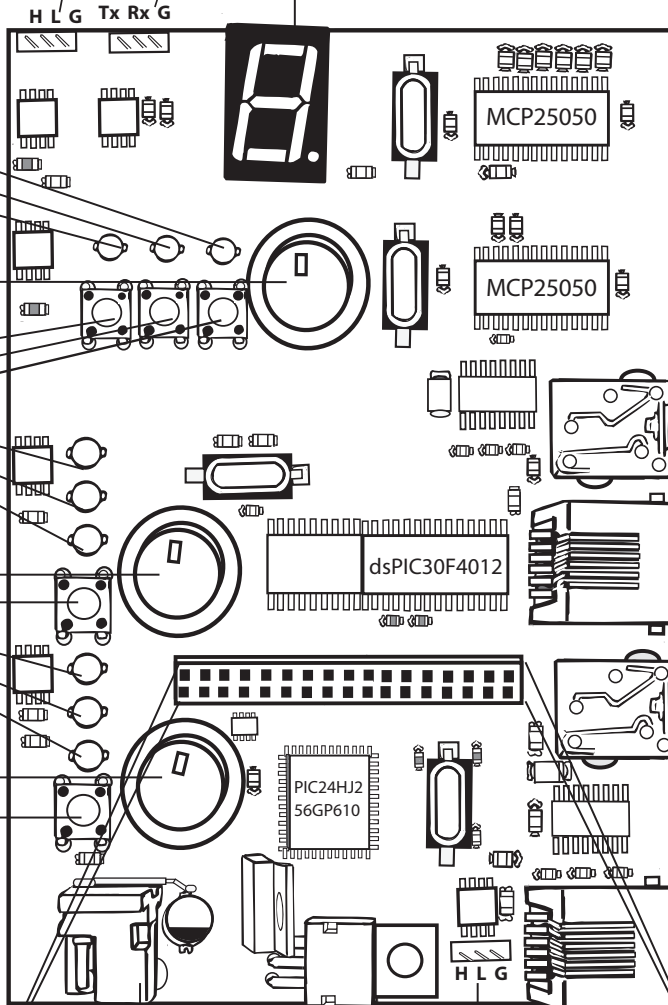


Connector to attach to an external CANBus network.

Connector to attach another serial device to CANBus.  
Converts serial to CANBus (transceiver).

7-segment LED  
GP0...GP7



H L G Tx Rx G

LED  
GP1  
GP2  
GP3

Pot GP0

Push buttons  
GP5  
GP4  
GP6

LED  
E1  
E2  
E4

Pot AN5

Push button  
E8

LED  
B1  
B4  
A5

Pot AN20

Push button  
A4

RS232  
C13,C14

ICD  
Connector

RS232  
F3,F2

ICD  
Connector

Power  
9V DC

Connector to attach an external CAN Bus network  
to Node A's secondary CAN Peripheral

H L G

|      |    |    |     |     |    |    |    |    |     |    |    |     |     |    |     |   |
|------|----|----|-----|-----|----|----|----|----|-----|----|----|-----|-----|----|-----|---|
| +3.3 | E4 | E2 | G14 | G12 | E0 | A6 | D6 | D4 | D12 | D2 | D0 | C14 | D10 | D8 | A14 | G |
| +3.3 | E5 | E3 | G15 | G13 | E1 | A7 | D7 | D5 | D13 | D3 | D1 | C13 | D11 | D9 | A15 | G |